

Figure 1  
40U Storage Tank Parts Assembly

## Model 40U Liter Storage Tank Instructions

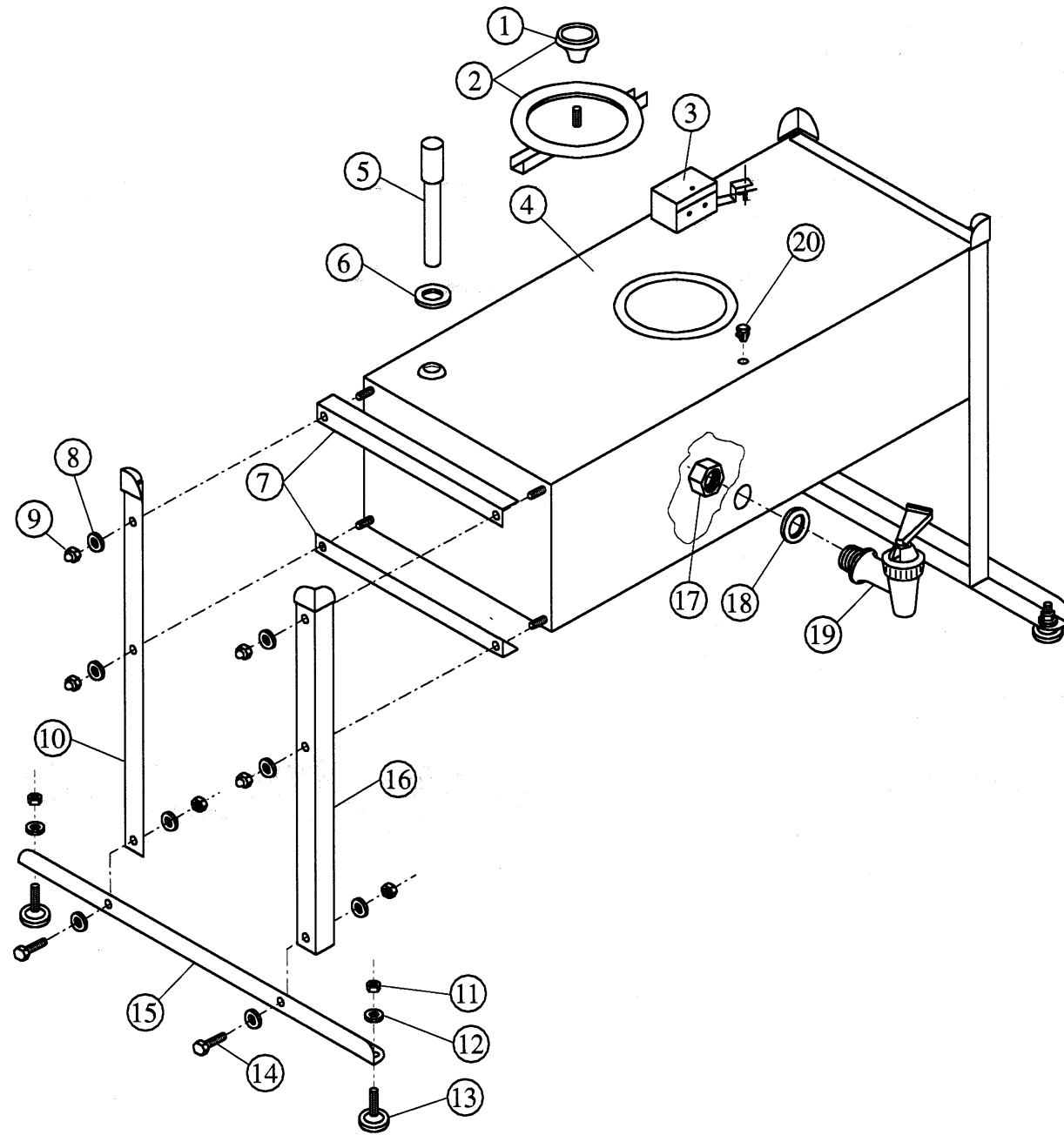
Catalogue # 400447

Congratulations on your purchase of one of the world's finest storage tanks for distilled water. The people at DURASTILL are pioneers in the development of fan-cooled water distilling systems. They have manufactured tens of thousands of distillers and storage tanks since 1970 and are proud of their products.

The 40U Liter Storage Tank is designed to be used in conjunction with a DURASTILL distiller. It features stainless steel construction and full level float control (deactivates the water distiller when full). With proper usage this sturdy unit can provide years of satisfying operation.

### CAUTION

Plug distiller/ storage tank combination into a properly grounded 120 Volt A.C. current-limited outlet only. Failure to do this may cause a fire or personal injury. Never repair or adjust distiller while it is plugged into the outlet.



### Model 40U Liter Storage Tank Parts List

Item #	Part #	Qty	Description
1	200056	1	Lid knob
2	400043	1	Lid assembly
3	400041	1	Float control box (FS-1 attached)
4	400435	1	40 Liter storage tank body
5	100052	1	4" Filler tube
6	100053	1	Filler tube gasket
7	120005	4	Side trim (12 1/4")
8	300176	8	Stainless steel washers 5/16" ID x 5/8" OD
9	300108	8	Stainless steel acorn nuts
10	400537	2	Leg assembly (left)
11	300106	8	1/4-20 Hex nuts
12	300152	12	Plated washers 5/16" ID x 3/4" OD
13	200314	4	Glide
14	300013	4	1/4-20 x 1/2" Hex plated bolts
15	400539	2	Leg support crossmember
16	400538	2	Leg assembly (right)
17	300113	1	3/8" Hex nut (black poly) on faucet
18	300163	1	Faucet washer
19	400536	1	Faucet
20	200048	1	1/4" Hole plug
21	100051	1	Drain tube (see Figure 2)

# DURASTILL

4200 NE Birmingham Rd. • Kansas City, MO 64117  
(816) 454-5260 • FAX (816) 452-7581

### Instructions for the assembly of the 40U Liter Tank and Stand:

1. Unpack storage tank body and stand parts. Save nuts and washers used to support cardboard on tank ends for steps # 6 through #8. Remove all packaging material. Be careful not to disturb the position of the spring clip on the float stem when removing the packing material around the float box on the storage tank.
2. Check the parts shipped against those listed on Page 1.
3. The left side will be assembled first and then the right side. To begin, select two pieces of side trim and place them on the storage tank left side bolts so the trim covers the top and bottom edges of the storage tank as shown in Figure 1.
4. Place left and right leg assemblies on the storage tank bolts so that the legs cover the front and back edges of the storage tank and corners of the side trim.
5. Place a stainless steel washer and an acorn nut on each of the side bolts.  
**Important:** Do not tighten connections until unit is assembled.
6. Place one leg support crossmember on the outside of the leg end. Secure it by placing a plated washer on a 1/4-20 x 1/2" bolt and inserting the threads of the bolt through the trim and leg. Place plated washer and hex nut on the bolt threads.
7. Repeat steps 3 through 6 on the right side of the storage tank.
8. Insert the threaded stem of the glide through the end hole of the leg support crossmember. Place a plated washer and a hex nut on each of the glide stems. Tighten all connections.
9. Remove tank lid following directions found on page 3. Select the faucet, rubber washer and 3/8" black poly hex nut. Place rubber washer on threads of the faucet and insert faucet threads through the hole near the bottom front of the storage tank as shown in Figure 1.
10. Attach the 3/8" black poly hex nut on faucet threads inside the storage tank and tighten.
11. Place the filler tube gasket on the filler tube and then place filler tube in hole at the left top corner of the storage tank. (Do not install PST filter, if used, until after steaming storage tank.)
12. Clean inside of storage tank by first wiping out the inside of the tank with a damp cloth.  
**Do not use cleaners.** Place distiller on tank, following directions found on page 3. Steam the tank, following directions found in the distiller manual, by turning off the distiller fan. (Connect the distiller output to the 4" stainless steel tube because flexible tubing can become discolored by the steaming process.) Allow the steam to enter the tank for twenty to thirty minutes. Check for leaks, drain the tank and rinse. Cover with lid.

### Removal and Installation of Storage Tank Locking Lid:

To remove the locking lid from the storage tank, unscrew knob on lid two to three turns and slide lid over until locking bar clears hole. Lid should now lift out.

To replace storage tank locking lid, loosen locking bar (if not already loose) by unscrewing lid knob. Slide locking bar under rim of storage tank opening. Center the lid over opening. Lift up on the knob while screwing lid tight.

### To Mount Distiller on Storage Tank Stand:

1. Disconnect distiller from electrical and water sources.
2. Drain distiller of any water.
3. Place distiller on storage tank stand. Be sure that the distilled water outlet fits into the filler tube on storage tank.
4. Loosen and remove drain nut, insert drain tube and compression fitting, and replace nut as shown in Figure 2.
5. Reconnect water supply to distiller.
6. Plug distiller into receptacle on float control box (FS-1) of storage tank, and plug storage tank plug into a properly grounded 120 Volt A.C. 60 Hz current-limited power source (15 amp breaker or fuse; NEMA 5-15R receptacle).

These distillers and storage tanks are intended for use on a municipal or well water supply system.

**Do not attempt to purify water heavily polluted with industrial wastes or toxic chemicals.**

**Figure 2**  
**Drain Tube Connection to Drain**  
**Valve on Evaporator Tank of**  
**Distiller**

In order to drain the boiler chamber (evaporator tank) on the distiller without spilling water on the storage tank, use the drain tube provided. Install as shown at right.

